



EQUIPO PARTIDO INDUSTRIAL DBD

MEDIA TEMPERATURA

R-404A

Código	Modelo	HP	kW.	Comp.	Voltaje	€
CF1000	MDB225ND765F	1	0,7	H	230/1/50	5.449
CF1001	MDB225TD765F	1,2	0,9	H	400/3/50	5.850
CF1002	MDB135TD765F	2	1,5	H	400/3/50	6.510
CF1003	MDB235TD765F	3	2,2	H	400/3/50	8.446
CF1004	MDB145TD765F	3	2,2	H	400/3/50	10.702
CF1005	MDB145TD768F	3	2,2	S	400/3/50	13.266
CF1006	MDB150TD765F	4	3,0	H	400/3/50	12.278
CF1007	MDB150TD768F	4	3,0	S	400/3/50	15.028
CF1008	MDB245ND765F	5	3,7	H	400/3/50	15.131
CF1009	MDB245ND768F	5	3,7	S	400/3/50	18.025
CF1010	MDB245TD765F	7,5	5,6	H	400/3/50	16.655
CF1011	MDB245TD768F	7,5	5,6	S	400/3/50	19.282
CF1012	MDB250ND765F	10	7,4	H	400/3/50	21.239
CF1013	MDB250ND768F	10	7,4	S	400/3/50	22.506
CF1014	MDB250TD765F	15	11,1	H	400/3/50	22.114
CF1015	MDB250TD768F	15	11,1	S	400/3/50	24.246
CF1016	MDB251TD765F	20	14,8	S	400/3/50	27.182
CF1017	MDB351ND765F	25	18,5	S	400/3/50	39.278
CF1018	MDB351TD765F	29,7	22	S	400/3/50	40.949
CF1019	MDB260TR765F	25	18,5	S	400/3/50	41.720
CF1020	MDB360NR765F	35	26	S	400/3/50	48.795
CF1021	MDB360TR765F	40	30	S	400/3/50	54.291

Tipo de compresor H= Hermético / S= Semihermético





EQUIPO PARTIDO INDUSTRIAL DBD

MEDIA TEMPERATURA

Código	Modelo	TEMPERATURA EXTERNA + 35°C.							
		+ 10°C		+ 5°C		0°C		- 5°C	
		W	m³	W	m³	W	m³	W	m³
CF1000	MDB225ND765F	2.511	29	2.198	24	1.914	19	1.626	16
CF1001	MDB225TD765F	2.798	34	2.465	28	2.163	23	1.849	18
CF1002	MDB135TD765F	5.028	73	4.385	62	3.837	52	3.258	42
CF1003	MDB235TD765F	7.988	131	6.911	109	5.981	91	5.035	74
CF1004	MDB145TD765F	10.598	184	9.116	153	7.774	126	6.563	103
CF1005	MDB145TD768F	10.598	184	9.116	153	7.774	126	6.563	103
CF1006	MDB150TD765F	13.970	257	12.045	215	10.307	178	8.692	145
CF1007	MDB150TD768F	13.970	257	12.045	215	10.307	178	8.692	145
CF1008	MDB245ND765F	17.672	341	15.292	287	13.131	239	11.245	198
CF1009	MDB245ND768F	17.672	341	15.292	287	13.131	239	11.245	198
CF1010	MDB245TD765F	19.771	389	17.069	327	14.615	272	12.421	223
CF1011	MDB245TD768F	19.771	389	17.069	327	14.615	272	12.421	223
CF1012	MDB250ND765F	27.807	582	23.901	490	20.635	409	17.334	333
CF1013	MDB250ND768F	27.807	582	23.901	490	20.635	409	17.334	333
CF1014	MDB250TD765F	31.981	681	27.799	582	23.999	493	20.528	407
CF1015	MDB250TD768F	31.981	681	27.799	582	23.999	493	20.528	407
CF1016	MDB251TD765F	35.958	775	31.899	679	28.191	591	24.476	504
CF1017	MDB351ND765F	50.649	1.127	44.270	973	38.507	836	32.938	703
CF1018	MDB351TD765F	51.986	1.159	45.992	1.015	40.529	884	35.165	756
CF1019	MDB260TR765F	53.930	1.503	47.834	1.319	42.275	1.150	36.708	983
CF1020	MDB360NR765F	72.002	2.065	63.480	1.798	55.792	1.561	48.739	1.345
CF1021	MDB360TR765F	80.753	2.343	71.634	2.053	63.313	1.751	54.958	1.980

Código	Modelo	TEMPERATURA EXTERNA + 45°C.							
		+ 10°C		+ 5°C		0°C		- 5°C	
		W	m³	W	m³	W	m³	W	m³
CF1000	MDB225ND765F	2.171	23	1.895	19	1.649	16	1.393	13
CF1001	MDB225TD765F	2.418	28	2.131	23	1.872	18	1.593	15
CF1002	MDB135TD765F	4.314	61	3.732	50	3.268	42	2.740	33
CF1003	MDB235TD765F	6.881	109	5.927	90	5.129	75	4.284	60
CF1004	MDB145TD765F	9.044	152	7.696	125	6.509	102	5.476	82
CF1005	MDB145TD768F	9.044	152	7.696	125	6.509	102	5.476	82
CF1006	MDB150TD765F	12.139	217	10.422	181	8.901	149	7.486	121
CF1007	MDB150TD768F	12.139	217	10.422	181	8.901	149	7.486	121
CF1008	MDB245ND765F	15.038	281	12.943	235	11.046	194	9.463	161
CF1009	MDB245ND768F	15.038	281	12.943	235	11.046	194	9.463	161
CF1010	MDB245TD765F	16.916	324	14.474	269	12.312	221	10.453	181
CF1011	MDB245TD768F	16.916	324	14.474	269	12.312	221	10.453	181
CF1012	MDB250ND765F	23.775	487	20.285	401	17.552	337	14.594	271
CF1013	MDB250ND768F	23.775	487	20.285	401	17.552	337	14.594	271
CF1014	MDB250TD765F	27.537	576	23.795	488	20.463	405	17.498	337
CF1015	MDB250TD768F	27.537	576	23.795	488	20.463	405	17.498	337
CF1016	MDB251TD765F	31.179	662	27.602	577	24.426	503	21.296	424
CF1017	MDB351ND765F	43.829	963	38.239	829	33.256	711	28.503	598
CF1018	MDB351TD765F	44.681	983	39.508	860	34.886	750	30.464	645
CF1019	MDB260TR765F	46.922	1.290	41.467	1.125	36.593	980	31.814	838
CF1020	MDB360NR765F	62.346	1.763	54.729	1.535	47.966	1.322	42.017	1.142
CF1021	MDB360TR765F	75.038	2.005	61.923	1.750	54.638	1.525	47.491	1.307



EQUIPO PARTIDO INDUSTRIAL DBD

MEDIA TEMPERATURA

Código	Modelo	Datos Técnicos Condensador			Datos Técnicos Evaporador		
		Ventiladores Nº x Ø x rpm. mm.	Consumo Ventilador kW.	Caudal m³/h.	Ventiladores Nº x Ø x rpm. mm.	Consumo Ventilador kW.	Caudal m³/h.
CF1000	MDB225ND765F	2x254x1.300	0,09	1.850	2x254x1.300	0,09	1.800
CF1001	MDB225TD765F	2x254x1.300	0,09	1.850	2x254x1.300	0,09	1.800
CF1002	MDB135TD765F	1x350x1.390	0,14	2.150	1x350x1.390	0,14	2.300
CF1003	MDB235TD765F	2x350x1.390	0,28	3.800	2x350x1.390	0,28	4.300
CF1004	MDB145TD765F	1x450x1.340	0,45	4.850	1x450x1.325	0,48	5.000
CF1005	MDB145TD768F	1x450x1.340	0,45	4.850	1x450x1.325	0,48	5.000
CF1006	MDB150TD765F	1x500x1.390	0,75	6.800	1x500x1.230	0,57	6.800
CF1007	MDB150TD768F	1x500x1.390	0,75	6.800	1x500x1.230	0,57	6.800
CF1008	MDB245ND765F	2x450x1.340	0,90	9.000	2x450x1.325	0,96	9.300
CF1009	MDB245ND768F	2x450x1.340	0,90	9.000	2x450x1.325	0,96	9.300
CF1010	MDB245TD765F	2x450x1.340	0,90	9.000	2x450x1.325	0,96	9.000
CF1011	MDB245TD768F	2x450x1.340	0,90	9.000	2x450x1.325	0,96	9.000
CF1012	MDB250ND765F	2x500x1.390	1,50	13.700	2x500x1.230	1,14	14.300
CF1013	MDB250ND768F	2x500x1.390	1,50	13.700	2x500x1.230	1,14	14.300
CF1014	MDB250TD765F	2x500x1.390	1,50	13.700	2x500x1.230	1,14	14.000
CF1015	MDB250TD768F	2x500x1.390	1,50	13.700	2x500x1.230	1,14	14.000
CF1016	MDB251TD765F	2x500x1.390	1,50	13.700	2x500x1.230	1,14	13.700
CF1017	MDB351ND765F	3x500x1.390	2,25	20.500			23.000
CF1018	MDB351TD765F	3x500x1.390	2,25	20.500			23.600
CF1019	MDB260TR765F	2x560x1.300	2,50	22.300			23.600
CF1020	MDB360NR765F	3x560x1.300	3,75	34.000			34.500
CF1021	MDB360TR765F	3x560x1.300	3,75	33.300			35.400

Código	Modelo	Datos Técnicos Equipo			Tubería	
		Potencia descarga kW.	Consumo kW.	Peso Kg.	Aspiración	Líquido
CF1000	MDB225ND765F	2,05	1,1	95 - 26	5/8	3/8
CF1001	MDB225TD765F	2,05	1,6	94 - 29	5/8	3/8
CF1002	MDB135TD765F	3,25	2,2	103 - 37	5/8	3/8
CF1003	MDB235TD765F	4,20	3,3	135 - 51	7/8	3/8
CF1004	MDB145TD765F	7,10	4,3	209 - 75	7/8	1/2
CF1005	MDB145TD768F	7,10	4,3	209 - 75	7/8	1/2
CF1006	MDB150TD765F	8,70	5,6	230 - 90	7/8	1/2
CF1007	MDB150TD768F	8,70	5,6	230 - 90	7/8	1/2
CF1008	MDB245ND765F	10,65	7,0	284 - 110	1 1/8	1/2
CF1009	MDB245ND768F	10,65	7,0	284 - 110	1 1/8	1/2
CF1010	MDB245TD765F	11,65	8,0	308 - 110	1 1/8	1/2
CF1011	MDB245TD768F	11,65	8,0	308 - 110	1 1/8	1/2
CF1012	MDB250ND765F	12,75	9,7	396 - 155	1 3/8	5/8
CF1013	MDB250ND768F	12,75	9,7	396 - 155	1 3/8	5/8
CF1014	MDB250TD765F	17,75	11,8	398 - 165	1 3/8	5/8
CF1015	MDB250TD768F	17,75	11,8	398 - 165	1 3/8	5/8
CF1016	MDB251TD765F	17,55	16,3	503 - 180	1 3/8	5/8
CF1017	MDB351ND765F	20	18,3	810 - 340		
CF1018	MDB351TD765F	25	20,9	830 - 400		
CF1019	MDB260TR765F	25	21,0	872 - 450		
CF1020	MDB360NR765F	29	29,7	1.300 - 530		
CF1021	MDB360TR765F	36	34,1	1.340 - 610		



EQUIPO PARTIDO INDUSTRIAL DBD

BAJA TEMPERATURA

R-404A

Código	Modelo	HP	kW.	Comp.	Voltaje	€
CF1025	BDB225ND765F	1,5	1,1	H	230/1/50	5.531
CF1026	BDB225TD765F	2	1,5	H	400/3/50	5.737
CF1022	BDB135TD765F	3	2,2	H	400/3/50	6.901
CF1027	BDB235TD765F	5	3,7	S	400/3/50	11.588
CF1028	BDB145ND765F	5	3,7	S	400/3/50	12.834
CF1029	BDB145TD765F	7,5	5,6	S	400/3/50	13.606
CF1030	BDB150ND765F	7,5	5,6	S	400/3/50	15.594
CF1031	BDB150TD765F	10	7,4	S	400/3/50	16.593
CF1033	BDB245ND765F	12,5	9,3	S	400/3/50	21.682
CF1034	BDB245TD765F	15	11,1	S	400/3/50	22.495
CF1035	BDB250ND765F	20	14,8	S	400/3/50	28.068
CF1036	BDB250TD765F	25	18,5	S	400/3/50	30.457
CF1032	BDB251TD765F	30	22,2	S	400/3/50	32.620
CF1037	BDB260NR765F	30	22,2	S	400/3/50	41.035
CF1038	BDB260TR765F	40	29,6	S	400/3/50	51.364
CF1039	BDB351ND765F	40	29,6	S	400/3/50	43.670
CF1040	BDB351TD765F	50	37	S	400/3/50	49.216
CF1041	BDB360NR765F	50	37	S	400/3/50	63.025
CF1042	BDB360TR765F	60	44,4	S	400/3/50	68.135

Tipo de compresor H= Hermético / S= Semihermético

Código	Modelo	TEMPERATURA EXTERNA + 35°C.						TEMPERATURA EXTERNA + 45°C.					
		- 15°C		- 20°C		- 25°C		- 15°C		- 20°C		- 25°C	
		W	m³	W	m³	W	m³	W	m³	W	m³	W	m³
CF1025	BDB225ND765F	1.742	15	1.447	11	1.151	7,5	1.557		1.293	9,1	1.019	6,1
CF1026	BDB225TD765F	2.166	21	1.829	15	1.492	12	1.943	17	1.631	13	1.325	9,5
CF1022	BDB135TD765F	4.234	59	3.712	50	3.150	40	2.903	35	2.391	25	1.885	16
CF1027	BDB235TD765F	5.881	100	5.052	80	4.195	61	5.013	80	4.205	61	3.433	45
CF1028	BDB145ND765F	7.233	135	6.173	108	5.104	82	6.048	104	5.169	83	4.182	61
CF1029	BDB145TD765F	8.814	179	7.560	144	6.437	114	7.476	141	6.347	112	5.399	89
CF1030	BDB150ND765F	10.094	216	8.689	175	7.263	136	8.467	169	7.305	137	6.000	104
CF1031	BDB150TD765F	11.798	268	10.252	221	8.767	177	9.923	211	8.604	173	7.516	143
CF1033	BDB245ND765F	14.254	346	12.262	282	10.621	233	11.704	265	10.309	222	8.715	176
CF1034	BDB245TD765F	16.252	411	14.184	344	12.173	280	13.497	322	11.720	266	10.342	223
CF1035	BDB250ND765F	22.002	625	19.072	523	16.057	405	17.497	484	15.675	392	13.023	307
CF1036	BDB250TD765F	26.188	773	22.665	649	19.568	540	21.966	624	18.847	515	16.331	414
CF1032	BDB251TD765F	28.455	855	24.836	725	21.186	597	24.008	696	20.837	585	18.071	488
CF1037	BDB260NR765F	33.221	1.149	28.519	956	24.409	791	27.675	922	23.568	757	20.161	623
CF1038	BDB260TR765F	39.635	1.418	34.341	1.195	29.626	1.001	33.396	1.156	28.595	959	24.650	800
CF1039	BDB351ND765F	39.672	1.266	34.005	1.056	29.039	876	34.062	1.058	29.025	875	24.789	724
CF1040	BDB351TD765F	47.916	1.530	41.071	1.276	35.073	1.057	41.139	1.278	35.056	1.057	29.939	874
CF1041	BDB360NR765F	52.620	1.989	45.609	1.677	39.469	1.411	44.060	1.609	37.773	1.339	32.757	1.129
CF1042	BDB360TR765F	59.610	2.303	51.629	1.944	44.723	1.638	50.501	1.869	43.881	1.601	37.044	1.309



EQUIPO PARTIDO INDUSTRIAL DBD

BAJA TEMPERATURA

Código	Modelo	Datos Técnicos Condensador			Datos Técnicos Evaporador		
		Ventiladores Nº x Ø x rpm. mm.	Consumo Ventilador kW.	Caudal m³/h.	Ventiladores Nº x Ø x rpm. mm.	Consumo Ventilador kW.	Caudal m³/h.
CF1025	BDB225ND765F	2x254x1.300	0,09	1.850	2x254x1.300	0,09	1.800
CF1026	BDB225TD765F	2x254x1.300	0,09	1.850	2x254x1.300	0,09	1.800
CF1022	BDB135TD765F	1x350x1.390	0,14	2.150	1x350x1.390	0,14	2.300
CF1027	BDB235TD765F	2x350x1.390	0,28	3.800	2x350x1.390	0,28	4.300
CF1028	BDB145ND765F	1x450x1.340	0,45	4.850	1x450x1.325	0,48	5.000
CF1029	BDB145TD765F	1x450x1.340	0,45	4.850	1x450x1.325	0,48	5.000
CF1030	BDB150ND765F	1x500x1.390	0,75	6.800	1x500x1.230	0,57	6.800
CF1031	BDB150TD765F	1x500x1.390	0,75	6.800	1x500x1.230	0,57	6.800
CF1033	BDB245ND765F	2x450x1.340	0,90	9.000	2x450x1.325	0,96	9.300
CF1034	BDB245TD765F	2x450x1.340	0,90	9.000	2x450x1.325	0,96	9.000
CF1035	BDB250ND765F	2x500x1.390	1,50	13.700	2x500x1.230	1,14	14.300
CF1036	BDB250TD765F	2x500x1.390	1,50	13.700	2x500x1.230	1,14	14.000
CF1032	BDB251TD765F	2x500x1.390	1,50	13.700	2x500x1.230	1,14	13.700
CF1037	BDB260NR765F	2x560x1.300	2,50	22.800			23.600
CF1038	BDB260TR765F	2x560x1.300	2,50	22.300			24.200
CF1039	BDB351ND765F	3x500x1.390	2,25	20.500			23.000
CF1040	BDB351TD765F	3x500x1.390	2,25	20.500			23.600
CF1041	BDB360NR765F	3x560x1.300	3,75	34.000			35.400
CF1042	BDB360TR765F	3x560x1.300	3,75	33.300			36.300

Código	Modelo	Datos Técnicos Equipo			Tubería	
		Potencia descarga kW.	Consumo kW.	Peso Kg.	Aspiración	Líquido
CF1025	BDB225ND765F	2,05	1,1	94 - 26	5/8	3/8
CF1026	BDB225TD765F	2,05	1,5	104 - 29	5/8	3/8
CF1022	BDB135TD765F	3,32	3,4	111 - 37	5/8	3/8
CF1027	BDB235TD765F	4,27	4,7	217 - 51	1 1/8	3/8
CF1028	BDB145ND765F	7,20	6,6	271 - 75	1 1/8	1/2
CF1029	BDB145TD765F	7,20	7,3	286 - 75	1 1/8	1/2
CF1030	BDB150ND765F	8,05	7,8	298 - 88	1 3/8	1/2
CF1031	BDB150TD765F	8,80	9,0	305 - 93	1 3/8	1/2
CF1033	BDB245ND765F	10,75	10,6	422 - 110	1 5/8	1/2
CF1034	BDB245TD765F	11,75	13,0	422 - 118	1 5/8	1/2
CF1035	BDB250ND765F	12,85	15,2	503 - 155	2 1/8	5/8
CF1036	BDB250TD765F	17,65	17,9	555 - 165	2 1/8	5/8
CF1032	BDB251TD765F	17,65	21,6	555 - 180	2 1/8	5/8
CF1037	BDB260NR765F	20,00	22,0	895 - 390		
CF1038	BDB260TR765F	25,00	27,4	1.040 - 450		
CF1039	BDB351ND765F	20,00	26,3	880 - 340		
CF1040	BDB351TD765F	25,00	29,2	920 - 400		
CF1041	BDB360NR765F	29,00	3,65	1.340 - 530		
CF1042	BDB360TR765F	36,00	41,3	1.350 - 610		



EQUIPO PARTIDO INDUSTRIAL DBD

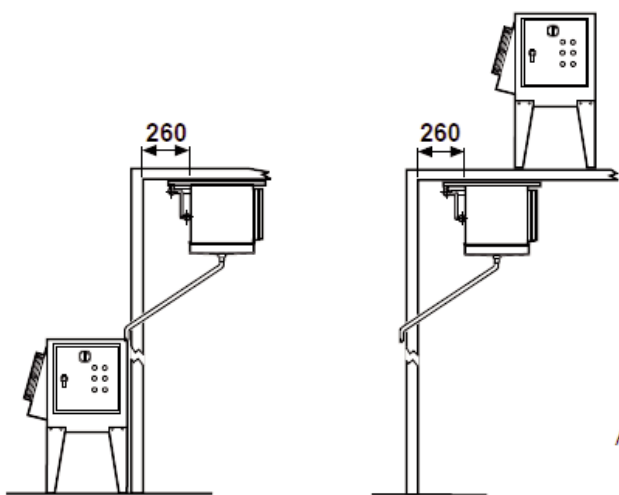
CARACTERÍSTICAS:

- Compresor hermético o semihermético según modelo.
- Presostato de alta y baja.
- Filtro deshidratador.
- Visor de líquido.
- Control de condensación por presostatos.
- Resistencia de precalentamiento.
- Desescarche eléctrico completamente automático.
- Válvula de expansión termostática.
- Evaporadores cúbico.
- Panel remoto 5 m.

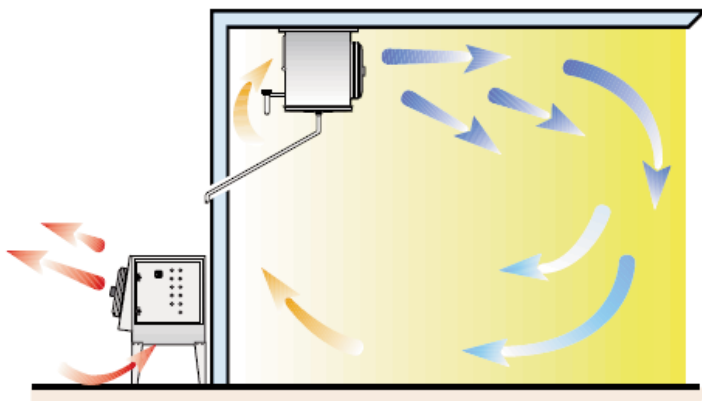
OPCIONALES:

- Desescarche gas caliente +12%
- Cambio de tensión +6%
- Tratamiento anti-corrosión baterías ... +12%
- Variador de velocidad para ventiladores condensador ... 460 €

Modelo / mm.	A	B
DB225-D	760	450
DB135-D	605	540
DB235-D	965	540
DB145-D	796	740
DB150-D	946	740
DB245-D	1.326	740
DB250-D	1.526	740
DB251-D	1.526	740
C DB150-D	946	740
C DB250-D	1.526	740



Agujero fijación evaporador





EQUIPO PARTIDO INDUSTRIAL DBD

DB-D 135 - 145 - 150

**DB-D 225 - 235
DB-D 245 - 250
DB-D 251**

DB-D 260

D-BD 360

Modelo/mm	A	B	C	D
DB 225-D	594	898	840	370
DB 135-D	630	996	630	400
DB 235-D	630	996	1.200	400

Modelo/mm	A	B	C	D
DB 145-D	870	1.290	1.070	565
DB 150-D	870	1.290	1.220	565

Modelo/mm	A	B	C	D
DB 245-D	870	1.290	1.600	565
DB 250-D	1.070	1.465	1.800	750
DB 251-D	1.070	1.465	1.800	750

Modelo/mm	A	B	C	D
DB 260-D	-	-	2.400	-
DB 360-D	-	-	3.400	-

**DB-D 135
DB-D 145
DB-D 150**

**DB-D 225 - 235
DB-D 245 - 250
DB-D 251**

Modelo/mm

Modelo/mm	A	B	C	D
DB 225-D	455	413	560	960
DB 135-D	545	520	690	805
DB 235-D	505	520	690	1.165

Modelo/mm

Modelo/mm	A	B	C	D
DB 145-D	670	771	950	1.039
DB 150-D	670	771	981	1.189

Modelo/mm

Modelo/mm	A	B	C	D
DB 245-D	670	771	992	1.569
DB 250-D	844	771	992	1.769
DB 251-D	844	771	992	1.769